



Solar Modules ATEX & IECEx Zone 1



ATEX/IECEx Excen photovoltaic modules are specifically designed for Zone 1 Hazardous Areas and are available in **seven different sizes** with power outputs ranging from 30W to 395W.

From offshore platforms to onshore refineries and chemical processing plants, our modules are **built to perform in the most demanding environments**.

By combining **premium materials**, rigorous **testing protocols**, and strict **process control**, we deliver photovoltaic modules that provide **reliable, long-term** energy production, **consistent** performance and **durability**, even under the harshest environments, as for they are built to withstand **extreme weather conditions**.

Ideal for **powering remote loads** such as lights, sensors, or communication systems, and capable of supporting higher demanding energy needs when combined in **Solar Systems** or used in conjunction with **Hybrid ATEX Diesel Gen-Sets**.



■ Details

ATEX Marking:	II 2G Ex eb mb IIC T4 Gb
IECEx Marking:	Ex eb mb IIC T4 Gb
Ambient Temp range:	-20 °C ≤ Tamb ≤ +55 °C
Protection Rating:	IP66

■ Mechanical Features

Front cover:	High transmission 3.2mm glass
Encapsulant:	EVA
Back cover:	White polyester
Frame:	Silver anodized aluminium

■ ELECTRICAL FEATURES

Model	PHMX012-030	PHMX012-050	PHMX012-090	PHMX012-120	PHMX012-150	PHMX024-200	PHMX024-395
Maximum power (Pmax)	30W	50W	90W	120W	150W	200W	395W
Voltage at Pmax (VMPP)	17.9V	18.9V	18.9V	18.2V	19.1V	37.6V	42.2V
Solar cells	36	36	36	36	36	72	72
Current at Pmax (IMPP)	1.68A	2.65A	4.76A	6.60A	8.1A	5.32A	9.35A
Short circuit current (ISC)	1.74A	2.80A	5.04A	7.12A	8.78A	5.84A	9.92A
Open circuit voltage (VOC)	22.1V	22.3V	22.3V	22.0V	23.0V	45.3V	49.3V
Module efficiency	10.5%	11.1%	13.1%-13.9%	14.4%	14.6%	16.0%	19.9%
Tolerance (Pmax)	±10%	-0/+3%	-0/+3%	-0/+3%	-0/+3%	-0/+3%	-0/+3%
Nominal voltage	12V	12V	12V	12V	12V	24V	24V
Maximum series fuse rating	5A	8A	20A	20A	20A	20A	20A
Maximum system voltage	1500V	1500V	1500V	1500V	1500V	1500V	1500V
Limiting reverse current (A)	1.94A	3.20A	5.04A	7.12A	8.78A	5.84A	9.92A

Note: additional model on request

■ QUALITY AND CERTIFICATIONS

ATEX Certificate N°: CML 24 ATEX 3326 X

IECEX Certificate N°: IECEX CML 24.0134 X

Certified in accordance with

IEC61730-1, IEC61730-2, EN/IEC61730-1, EN/IEC61730-2, IEC61215-1, IEC61215-2, IEC61215-1-1, EN 61215-1, EN 61215-1-1 and EN 61215-2

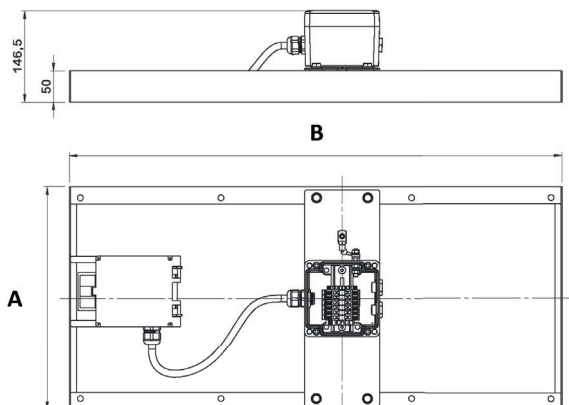
Directive 2014/34/EU

EN IEC 60079-0, EN IEC 60079-7, EN 60079-18

IECEX Scheme

IEC 60079-0, IEC 60079-7, IEC 60079-18

■ DIMENSIONS & WEIGHTS



Model no.	A	B	Kg
PHMX012-030	358	796	3,9
PHMX012-050	537	835	6
PHMX012-090	537	1204	7,7
PHMX012-120	674	1223	10
PHMX012-150	674	1504	12
PHMX024-200	790	1587	15,4
PHMX024-395	1002	1979	23,8

